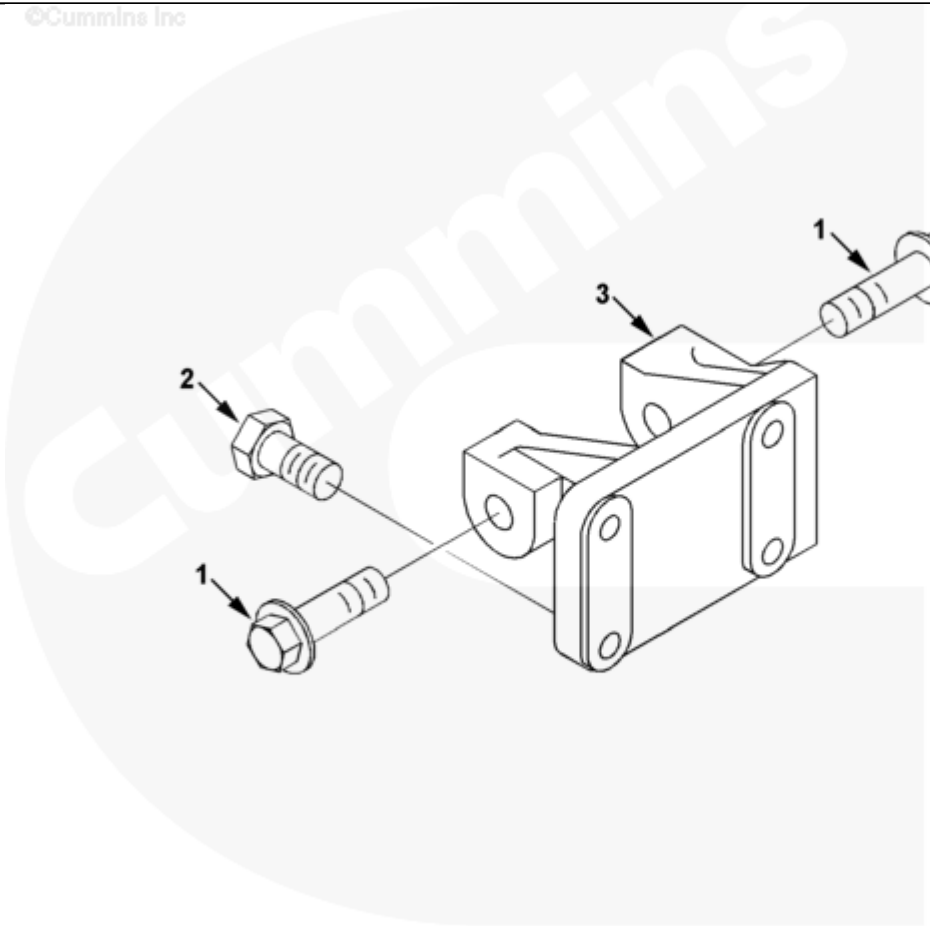




Parts Catalog - Option Detail

Electronic Parts Catalog - Option Detail				
Option	Group	Graphic	Film Card	Date
EH9233	13.02.3	eh925gn	Z	11-DEC-96
Engines	6C8.3, C GAS PLUS CM556, G8.3, G8.3 CM558, GTA8.3 CM558, ISC CM2150, ISC CM554, ISC CM850, ISC8.3 CM2250, ISC8.3 G CM2180 C101, ISL CM2150, ISL CM554, ISL CM850, ISL G CM2180, ISL8.9 CM2150 L110, ISL8.9 CM2880 L112, ISL9 CM2150 SN, ISL9 CM2250, ISL9 CM2350 L101, ISL9 CM2350 L111, ISLE4 CM850, L GAS PLUS CM556, L8.9, L8.9 L121, L8.9G CMOH2.0 L125B, L9 CM2350 L116B, L9 CM2350 L119B, L9 CM2350 L120C, L9 CM2350 L123B, L9.3 L105, L9.5 L117, L9N CM2380 L124B, QSC8.3 CM2250, QSC8.3 CM2880 C102, QSC8.3 CM554, QSC8.3 CM850(CM2850), QSL9 CM2250, QSL9 CM2250 L115, QSL9 CM2350 L102, QSL9 CM2350 L107, QSL9 CM2350 L118, QSL9 CM2350 L122, QSL9 CM554, QSL9 CM850(CM2850), QSL9 G CM558, QSL9 M CM2250 L106, QSL9.3 CM2880 L113			



eh925gn

[SMALL](#) | [MEDIUM](#) | [LARGE](#)

Cart	Ref No	Part Number	Part Description	Required	Remarks
View My Cart					
		EH9233	Alternator Location		Alternator Location...(More)

				Engine Design Phase: Current
				Product
				Pulley Retainer Provided:
				Yes
				Alternator Pulley Provided:
				No
				Drive Hardware Supplier:
				Cummins
				Alternator Drive Speed: 2.9
				Alternator Mount Type: 4 in.
				hinge
				Maximum Amperage @ 14 Volt:
				200
				Maximum Amperage @ 28 Volt:
				100
				Damper Pulley Effective
				Diameter (mm): 198.43
				Required Tensioner Pulley
				Material: Steel
				Engine Family: C Series
				Alternator
				Manufacturer/Model:
				Bosch N-1 up to 14V/110A
				Bosch N-1 up to 28V/80A
				Delco Remy 20 SI up to
				12V/60A
				Delco Remy 20 SI up to
				24V/60A
				Delco Remy 22 SI12V/160A
				Delco Remy 22 SI24V/70A

					Delco Remy 33 SI12V/110A
					Delco Remy 33 SI24V/75A
					Leece Neville 2300JB up to
					28V/65A
					Leece Neville 2500JB up to
					28V/60A
					Leece Neville 4000 up to
					14V/100A
					Powerline 25 Series up to
					28V/100A
					Required Water Pump Pulley
					Type: Standard
					Suitable for use with fan and
					freon compressor combinations
					up to 34 HP total.
					NOTE: Alternator brace not
					supplied.
<input type="checkbox"/>	1	3900631	Hexagon Flange Head Cap Screw	4	M8 X 1.25 X 25.
<input type="checkbox"/>	2	3920447	Hexagon Flange Head Cap Screw	2	M12 X 1.75 X 40.
<input type="checkbox"/>	3	3929418	Alternator Support	1	